



U.S. Army Research, Development and Engineering Command



***TECHNOLOGY DRIVEN. WARFIGHTER FOCUSED.***

## C3Grid Overview

DoD M&S Conference

10 March 2008



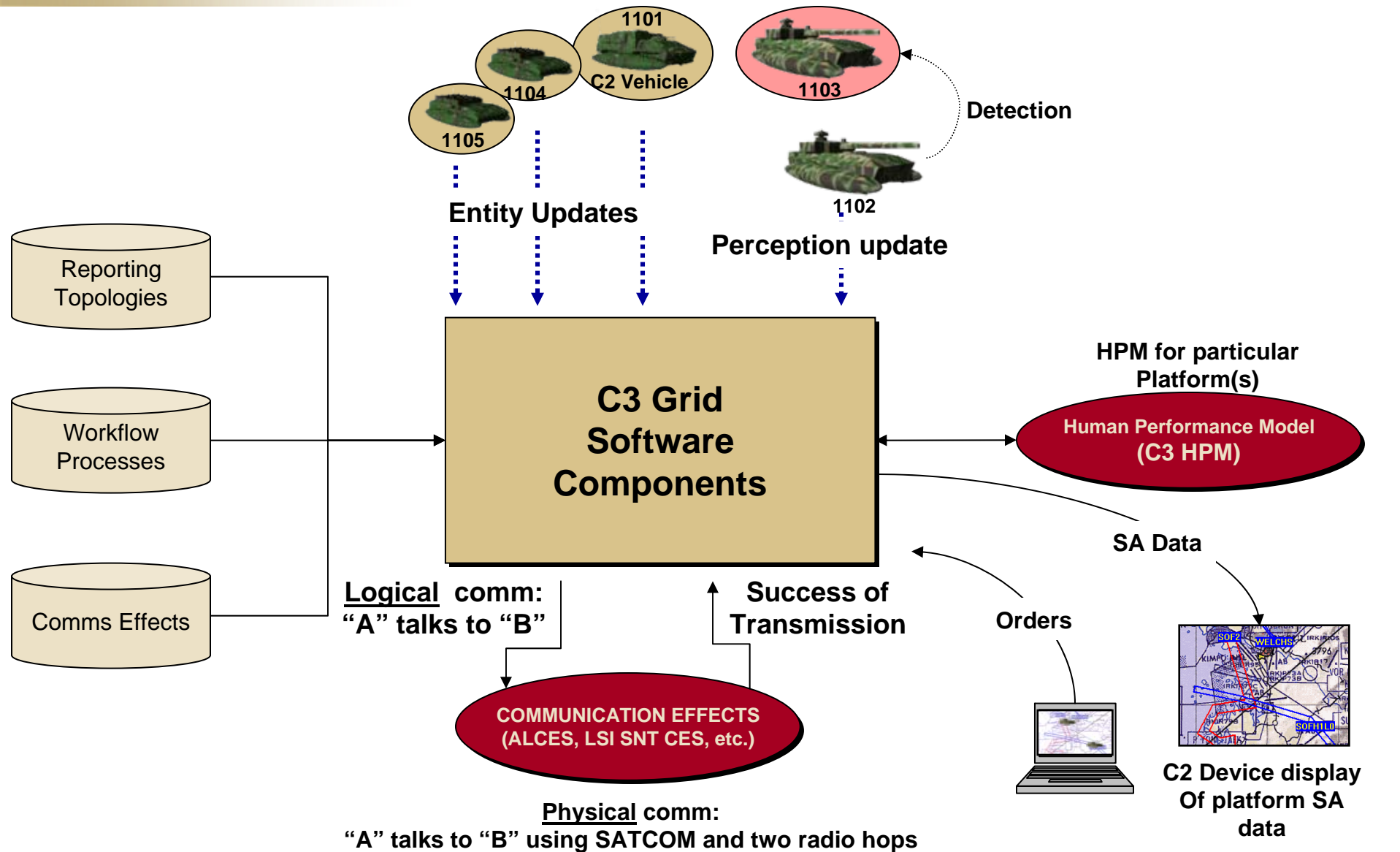
- The real world Army is organized into well defined hierarchies with roles and responsibilities articulated and understood.
- Communication in the real world occurs over real equipment. It is well defined with a purpose and an intended effect.
- Decisions are made based on information and understanding – situational awareness
- The C3Grid enables MATREX to simulate information age operational realities – the force structure and information flows that are the challenges of the future Army concept
- The fidelity of the C3Grid and the services associated with the C3Grid impacts the degree to which the simulated world replicates the real world.
- The degree to which the real world and the simulated world can interoperate depends on the ability of each to impact the other; i.e., their ability to communicate with each other.



# Benefits Overview



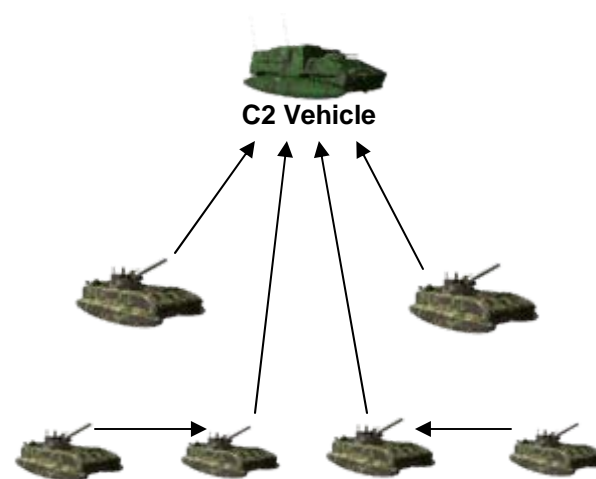
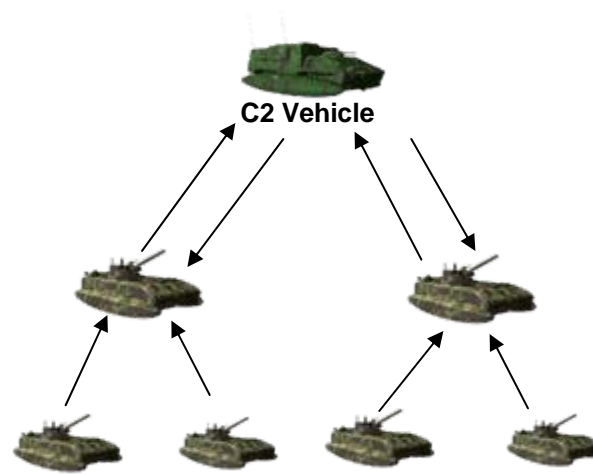
- Provides robust highly parametric C4ISR modeling capability for Network Centric Warfare (NCW) that enables the use of existing combat simulations to support Army transformation.
- Creates and allows representation of information flow topologies unique to message type, decision points and data processes.
- Interface for management of the Common Operating Picture (COP) for the force structure according to information flow using blue/red deconfliction, target correlation, aggregation and information dissemination.
- Interfaces for integration of external services including communication effects, fusion, human performance modeling and Command & Control devices.





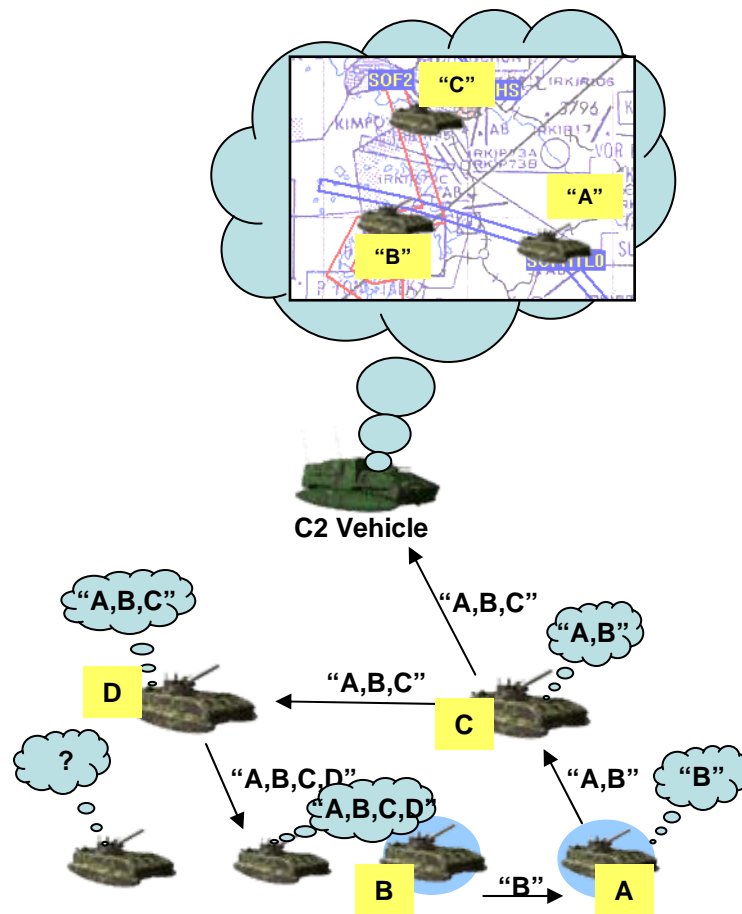
- Enables the modeling of the *propagation and maintenance* of situational awareness (SA) as it originates from the simulated battlefield
  - Converts data from battlefield simulations into reported / detected information
  - Models the reporting of that information from the detecting/reporting platform to other platforms via defined reporting hierarchies
  - Maintains information about known entities (friendly & enemy) on behalf of the simulation(s) modeling the battlefield entities

## Data inputs define the desired SA reporting Topology





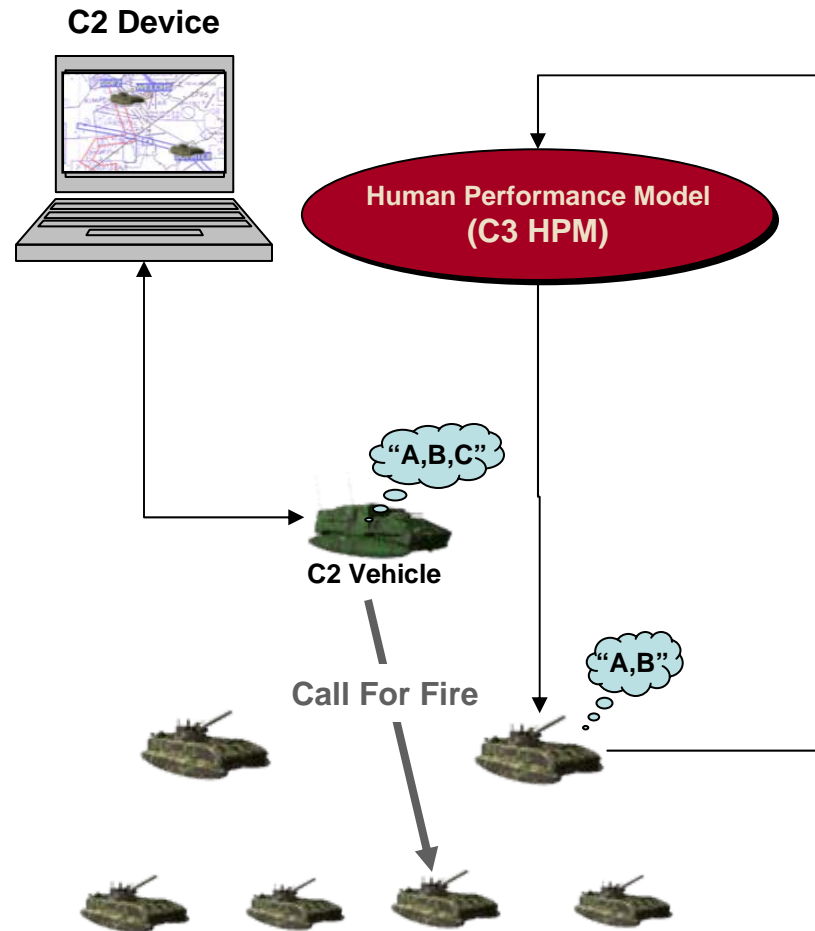
- Enables the modeling of the *propagation and maintenance* of friendly and enemy situational awareness (SA) as it originates from the simulated battlefield
  - Converts data from battlefield simulations into reported / detected information
  - Models the reporting of that information from the detecting/reporting platform to other platforms via defined reporting hierarchies
  - Maintains information about known entities (friendly & enemy) on behalf of the simulation(s) modeling the battlefield entities



Notional SITREP reporting topology

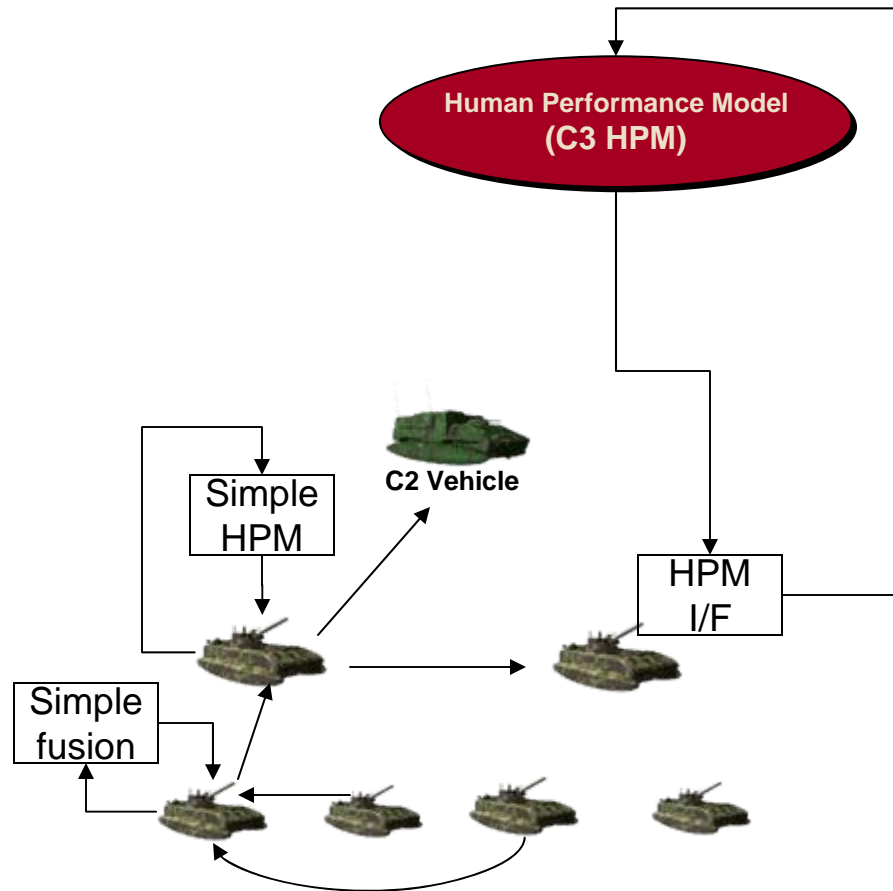


- Conveys SA information to external components as appropriate
  - C2 Devices with human operators
  - Simulations modeling C2 constructive behaviors
- Enables the sending of other (non-SA) messages/orders between battlefield entities
  - e.g., Call for Fire (CFF) from requesting unit to the authorizing unit



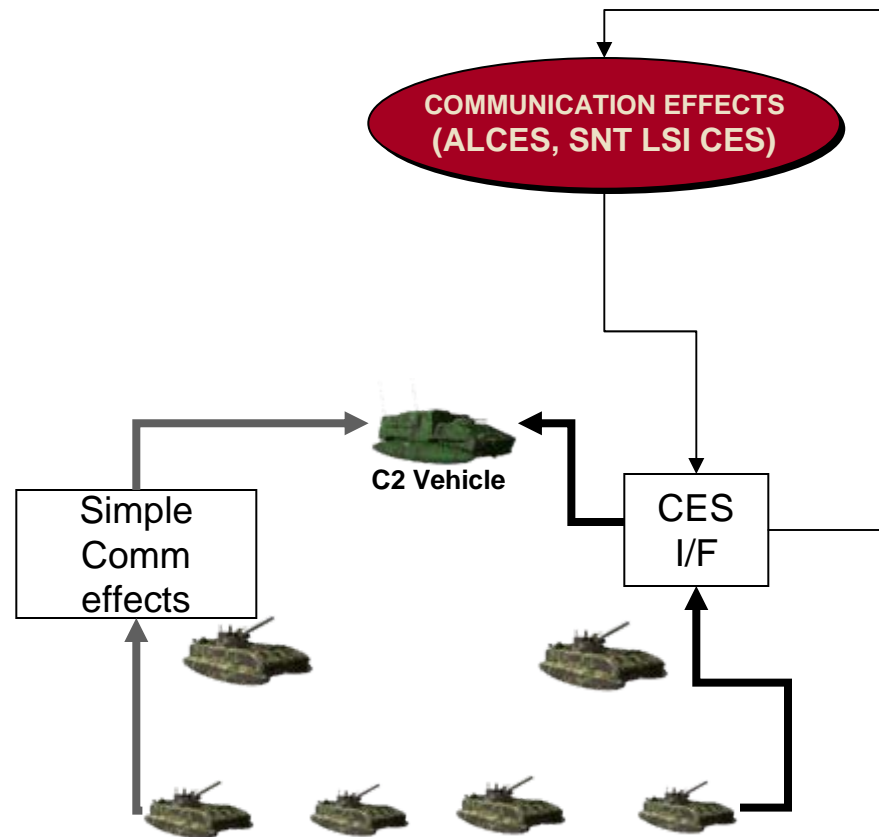


- Models surrogate fusion and HPM processing
  - Surrogate, organic Human Performance Model (HPM) for message processing
  - Surrogate, organic message fusion
- Provides **interfaces** to external processing
  - Provides interfaces to external, higher-fidelity representations as desired





- Models surrogate **message communications effects**
  - simple message delays
  - “perfect” – no delays
- Provides an interface to external, higher-fidelity Communications Effects Server (CES) representation as needed
- Can apply comms effects equally to all “communicated” messages (SA, CFF, Fire missions, orders, ...)



- Support for Blue Situation Awareness Initialization
- Support for Fusion
- Support of FCS LSI SNT CES v4.0 (new interface)
- GUI interface

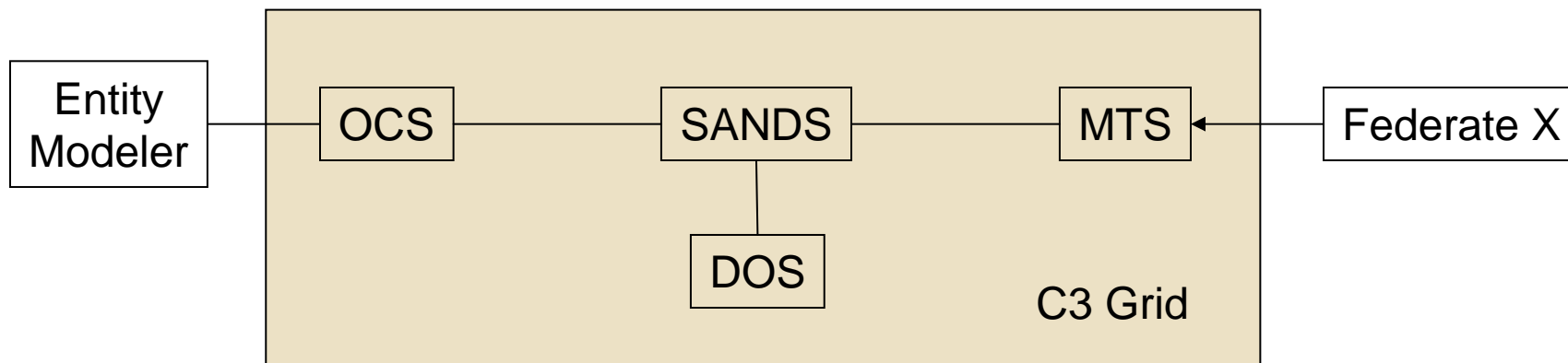
- RDECOM (RDEC's)
  - Aviation and Missile Research, Development and Engineering Center (AMRDEC)
  - Armament Research, Development and Engineering Center (ARDEC)
  - Army Research Laboratory (ARL)
  - Communications-Electronics Research, Development and Engineering Center (CERDEC - Belvoir/Monmouth)
  - Edgewood Chemical Biological Center (ECBC)
  - Natick Soldier Research, Development and Engineering Center (NSRDEC)
  - Simulation & Training and Technology Center (STTC)
  - Tank and Automotive Research, Development and Engineering Center (TARDEC)
- FCS LSI
- BLCSE (MMBL and TRADOC)
- PM C4ISR On-The-Move

Name	Title	Phone	Email
<b>Government:</b>			
Tom Hurt	MATREX PM	(703) 806-0995	tom.hurt@us.army.mil
Chris Metevier	MATREX Deputy PM	(407) 384-3865	chris.metevier@us.army.mil
<b>Contractors:</b>			
Gary Smith	Design & Dev Lead	(703) 425-2205 ext. 224	gsmith@d-a-s.com
John Vintilescu	Deputy	(703) 425-2205 ext. 208	jvintilescu@raytheonvtc.com
Thomas McAfee	SW Engineer	(703) 425-2205 ext. 218	tmcafee@raytheonvtc.com
Paul McCray	SW Engineer	(703) 425-2205 ext. 232	pmccray@d-a-s.com
Tim Good	SW Engineer	(703) 425-2205 ext. 202	timothy.good1@us.army.mil

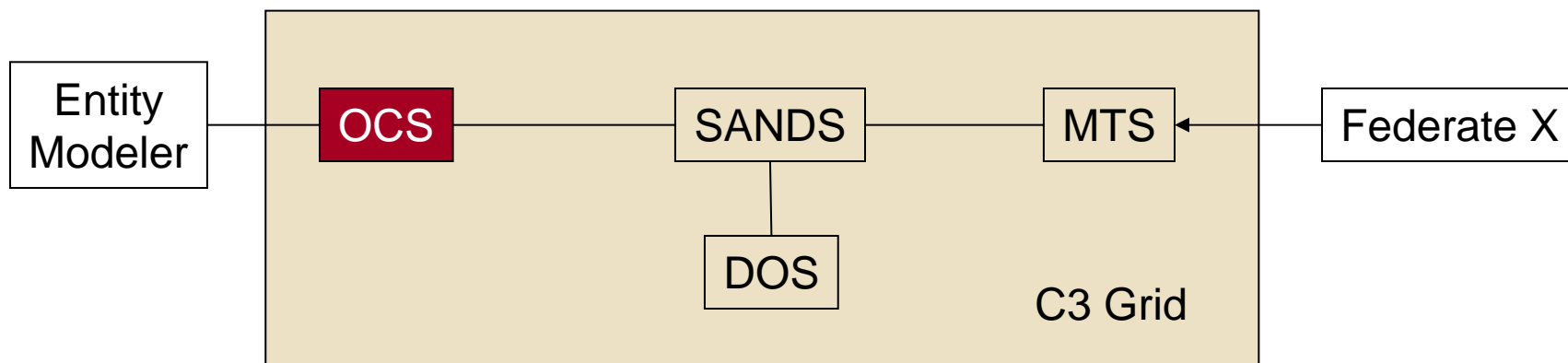
MATREX IDE Website: <https://www.matrex.rdecom.army.mil>



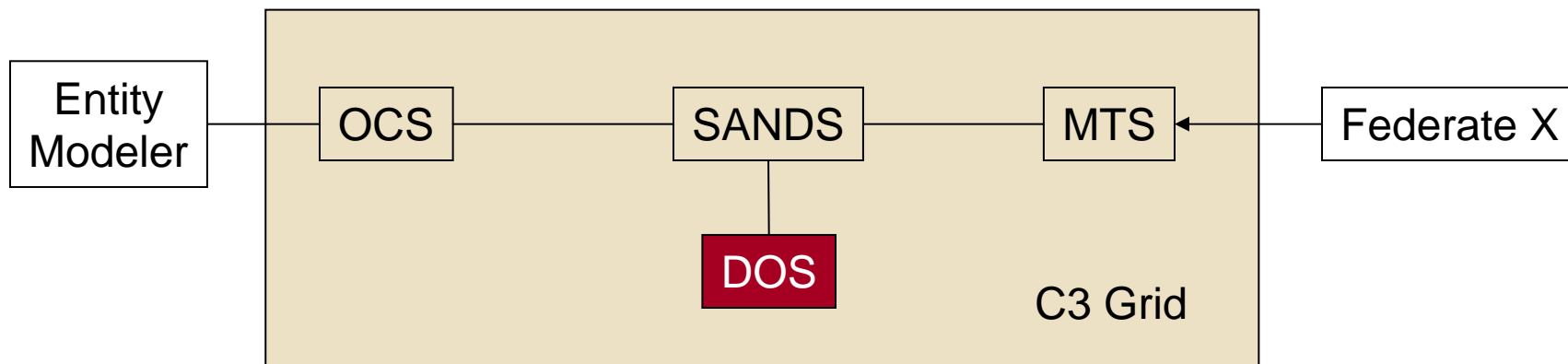
# Backup



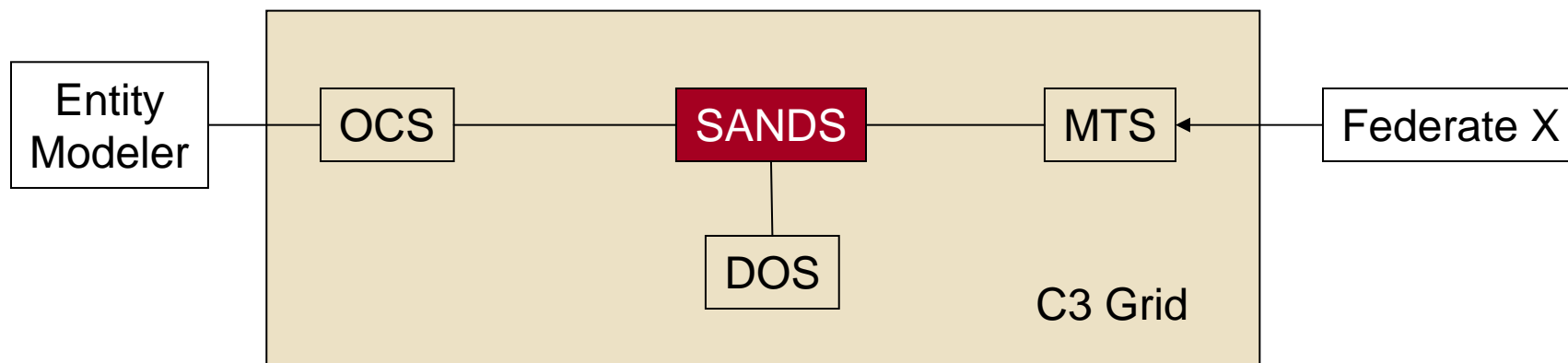
- **OCS** – Organic Communication Service
- **DOS** – Dynamic Organization Service
- **SANDS** – Situational Awareness Normalization & Dissemination Service
- **MTS** – Message Transceiver Service
- **R2S** – Role Resolution Service



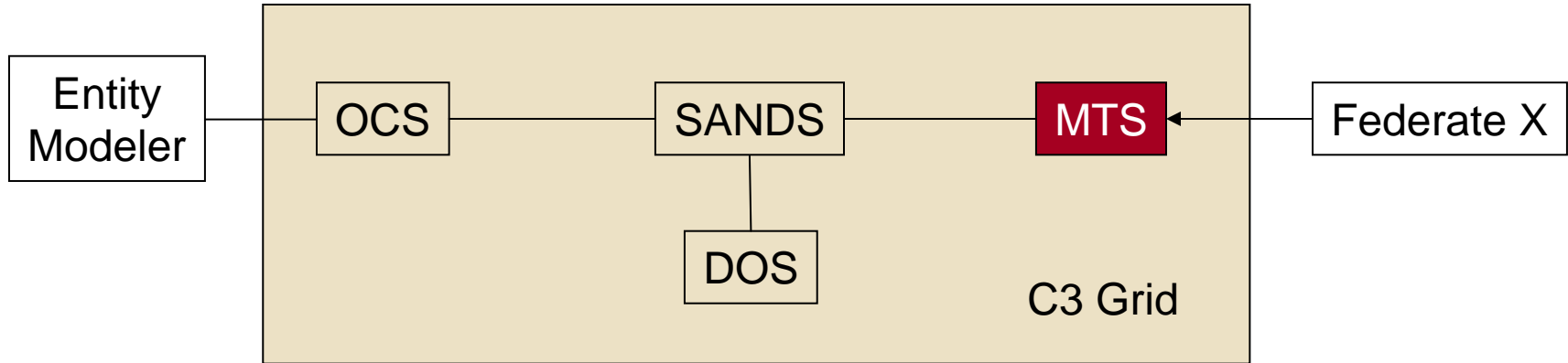
- OCS – Organic Communication Service
- OCS provides a filter mechanism from outside models to the C3Grid
  - Provides an abstraction layer between the interactions of the C3Grid components and the simulation architecture.
  - The OM used by the C3Grid remains flexible because it is isolated from the exercise. As new interfaces are defined only the abstraction layer defined within OCS needs to be changed.



- DOS – Dynamic Organization Service
- DOS manages the C3Node structure in the C3Grid
  - The C3Node is a mechanism to combine “who talks to whom” and “who acts on what”
  - DOS initializes the C3Node Architecture in an exercise
  - During the exercise, DOS manages command succession and proper message flow



- SANDS – Situational Awareness Normalization & Dissemination Service
- SANDS manages (or coordinates the management of) the local operational picture (LOP) for each simulated platform
  - Interfaces for fusion, human performance modeling, message generation and the proper dissemination of information
  - Messages needing comms effects are sent to MTS. Information from the entity to itself are processed within SANDS.
  - SANDS acts on behalf of the simulated entities by managing information flow from them and to them



- MTS – Message Transceiver Service
- MTS allows for realistic modeling of radio and network communications
  - MTS interfaces with the CES for proper modeling of communications equipment
  - MTS routes messages to the proper receiver. A message with multiple receivers will be copied and sent with appropriate comms effects in MTS



# C3Grid - Message Flow

